

**Unit**

**3800**

S.D.P. MANUFACTURING, INC.



**MANUFACTURING, INC.**

# Chassis Parts Manual

**S.D.P. MANUFACTURING, INC.**

**CHASSIS MANUAL 3800**

**Hydraulic Outriggers      Part 1**

**Controls / Dash            Part 2**

**Lower Internal Chassis    Part 2**





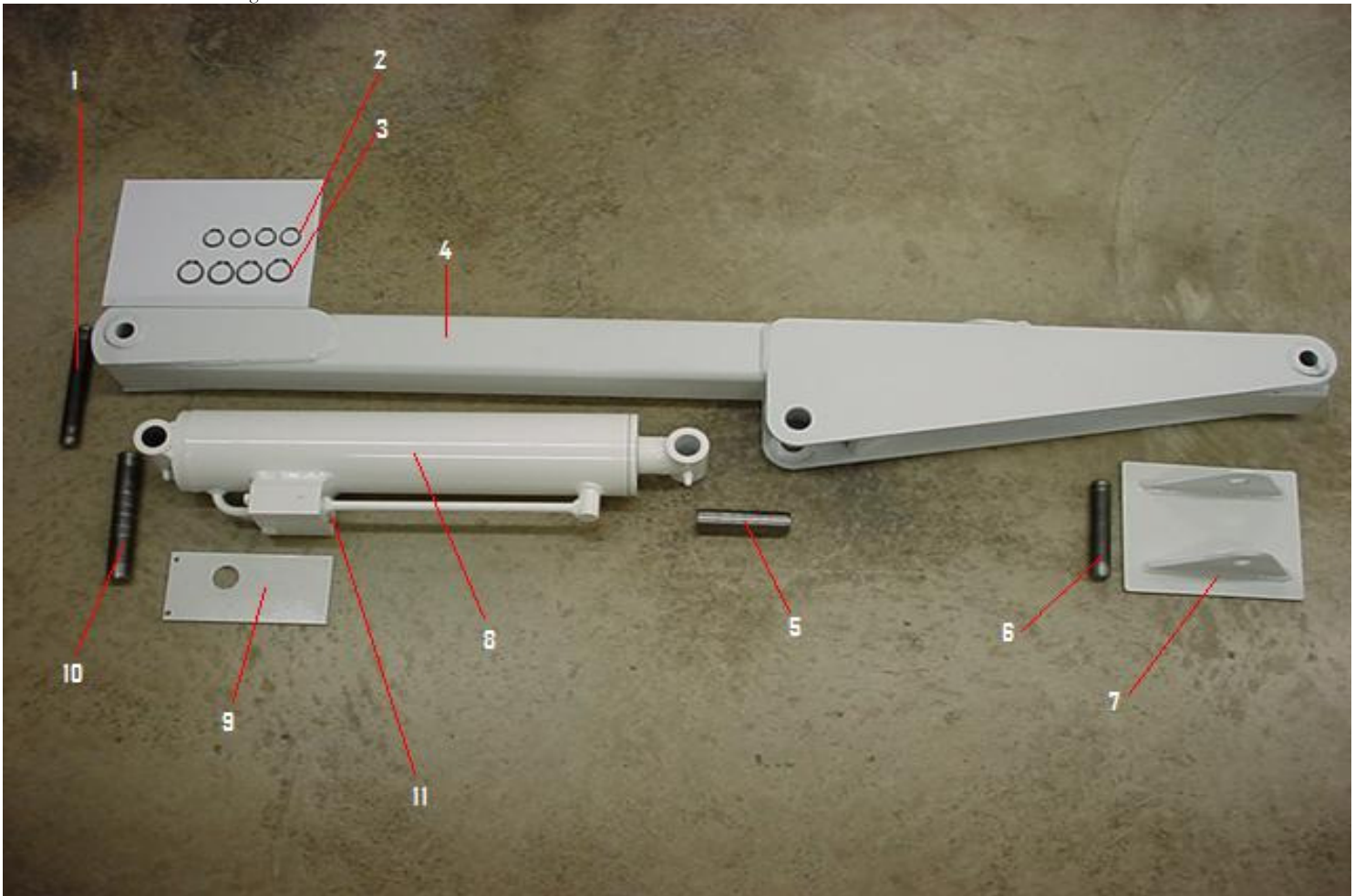
# Hydraulic Outriggers

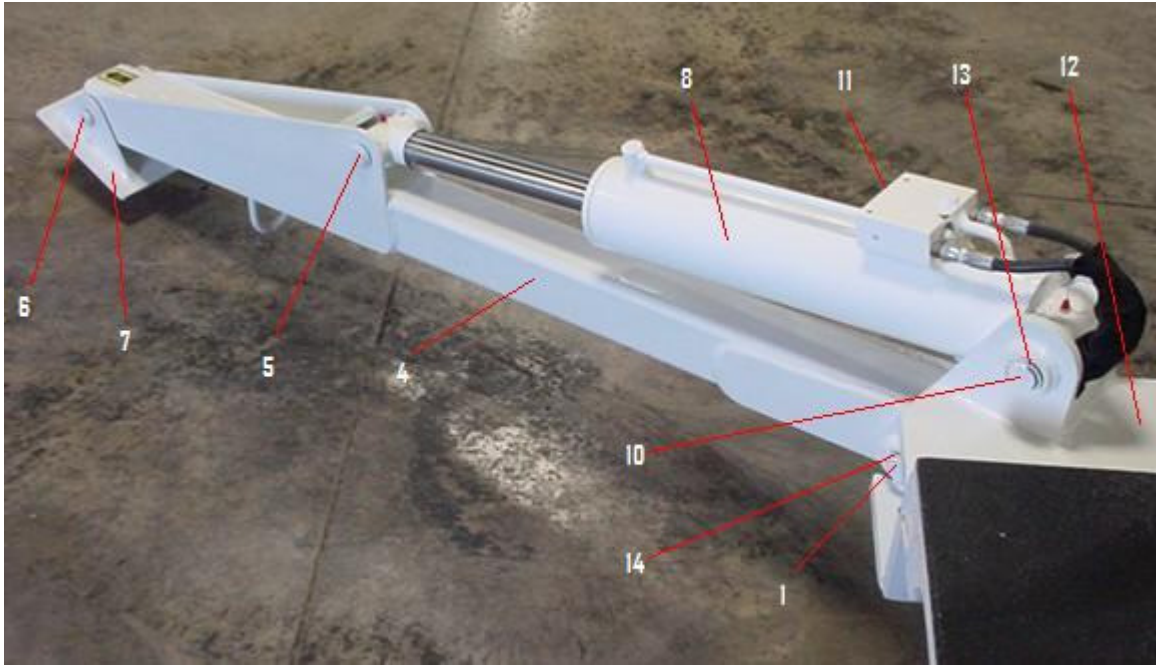


**Stop!**

**Before anyone works on the hydraulic system, make certain unit is off and pressure has been relieved.**

Figure 1.1



**Figure 1.2****Figure 1.3**

#	Part Numbers	Description
1	042006-1510	1.0 x 7.25 Pin
2	032305-0333	1.0 Retaining Ring
3	032305-0354	1.25 Retaining Ring
4	062906-0927	3800 outrigger arm
5	120505-1221	1.25 x 4.0 Pin
6	120505-1217	1.0 x 5.75 Pin
7	110606-1025	3800 Outrigger foot
8	081105-1607	Hyd. Cyl. w/Manifold
9	110606-1127	Outrigger Hose Cover Plate
10	042006-1459	1.25 x 7.25 Pin
11	022406-1409	3800 Outrigger Holding Valve
12	110606-1102	Outrigger Main Body
13	050306-0137	1.25 Brass Bushing
14	050306-0140	1.0 Brass Bushing

Part  
**2**

## Controls / Dash

**Figure 2.1**

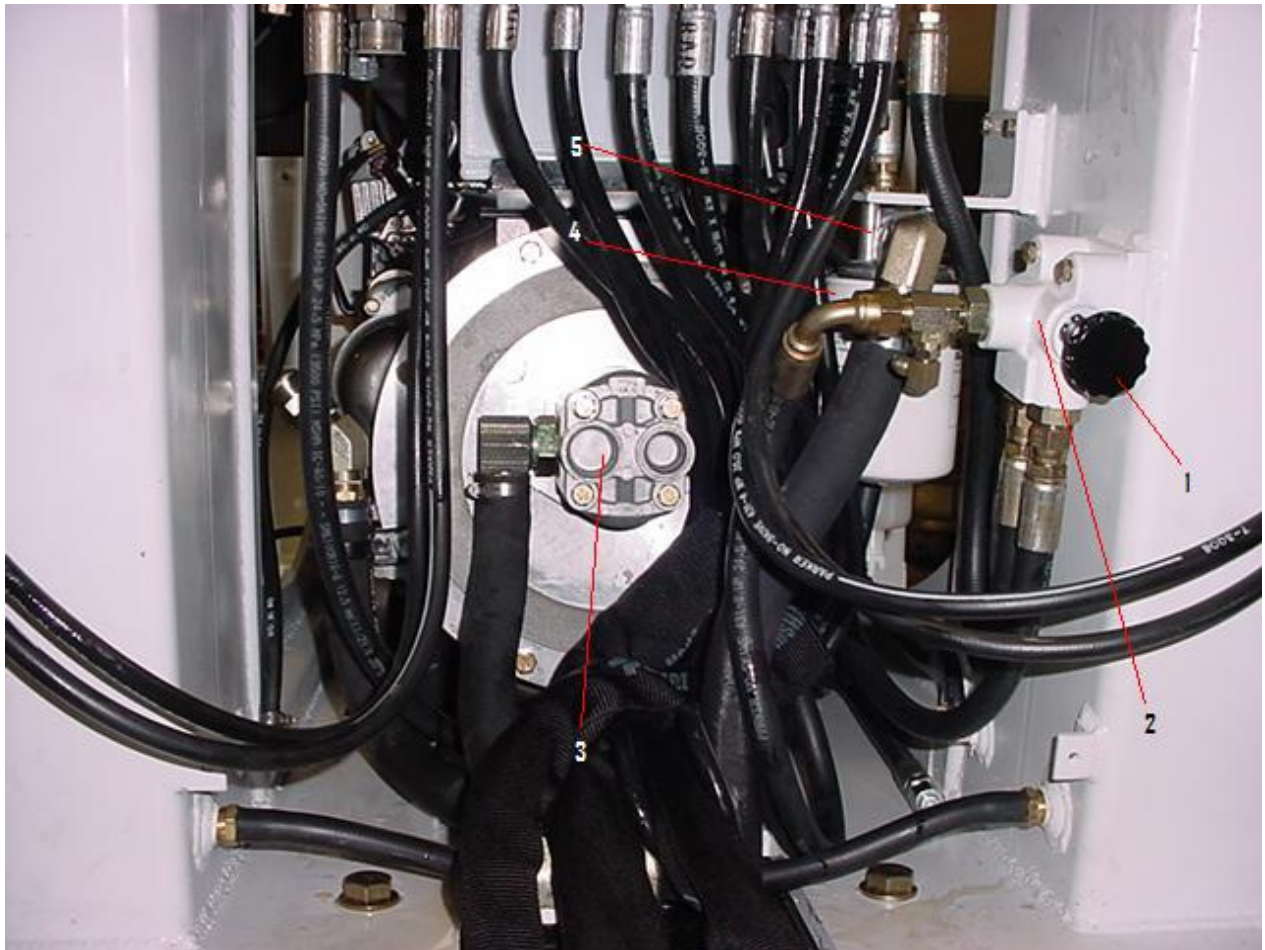


Part  
**2**

**Part Numbers are on figure 2.3**

## Lower internal Chassis

**Figure 2.2**



**Figure 2.3**

<b>#</b>	<b>Part Numbers</b>	<b>Description</b>
<b>1</b>	<b>072106-0515</b>	<b>Selector Valve Knob</b>
<b>2</b>	<b>042605-0429</b>	<b>Selector Valve</b>
<b>3</b>	<b>062205-0911</b>	<b>3000psi Hyd. Pump</b>
<b>4</b>	<b>101705-0137</b>	<b>Hyd. Filter</b>
<b>5</b>	<b>052405-0910</b>	<b>Hyd. Filter Housing</b>
<b>6</b>	<b>042605-0453</b>	<b>Ignition Key</b>
<b>7</b>	<b>042605-0446</b>	<b>Ignition Switch</b>
<b>8</b>	<b>062105-0819</b>	<b>Throttle Control</b>
<b>9</b>	<b>042605-0441</b>	<b>Red Indicator Lamp</b>
<b>10</b>	<b>042605-0439</b>	<b>Blue Preheat Lamp</b>
<b>11</b>	<b>042006-1151</b>	<b>Temperature Gauge</b>
<b>12</b>	<b>042006-1150</b>	<b>Oil Pressure Gauge</b>
<b>13</b>	<b>042006-1154</b>	<b>Amp / Voltage Meter</b>
<b>14</b>	<b>042006-1152</b>	<b>RPM Gauge</b>
<b>15</b>	<b>042605-0447</b>	<b>Hyd. Pressure Gauge</b>
<b>16</b>	<b>052405-0913</b>	<b>Fuel Cap</b>
<b>17</b>	<b>110606-1641</b>	<b>Black Control Knob (tall)</b>
<b>18</b>	<b>042805-0138</b>	<b>Black Control Knob (round)</b>
<b>19</b>	<b>042805-0149</b>	<b>Red Control Knob</b>
<b>20</b>	<b>091406-0839</b>	<b>Valve Handle</b>
<b>21</b>	<b>042605-0444</b>	<b>Fuel Gauge w/o grommet</b>
<b>22</b>	<b>040506-0942</b>	<b>Operations Manual Holder</b>